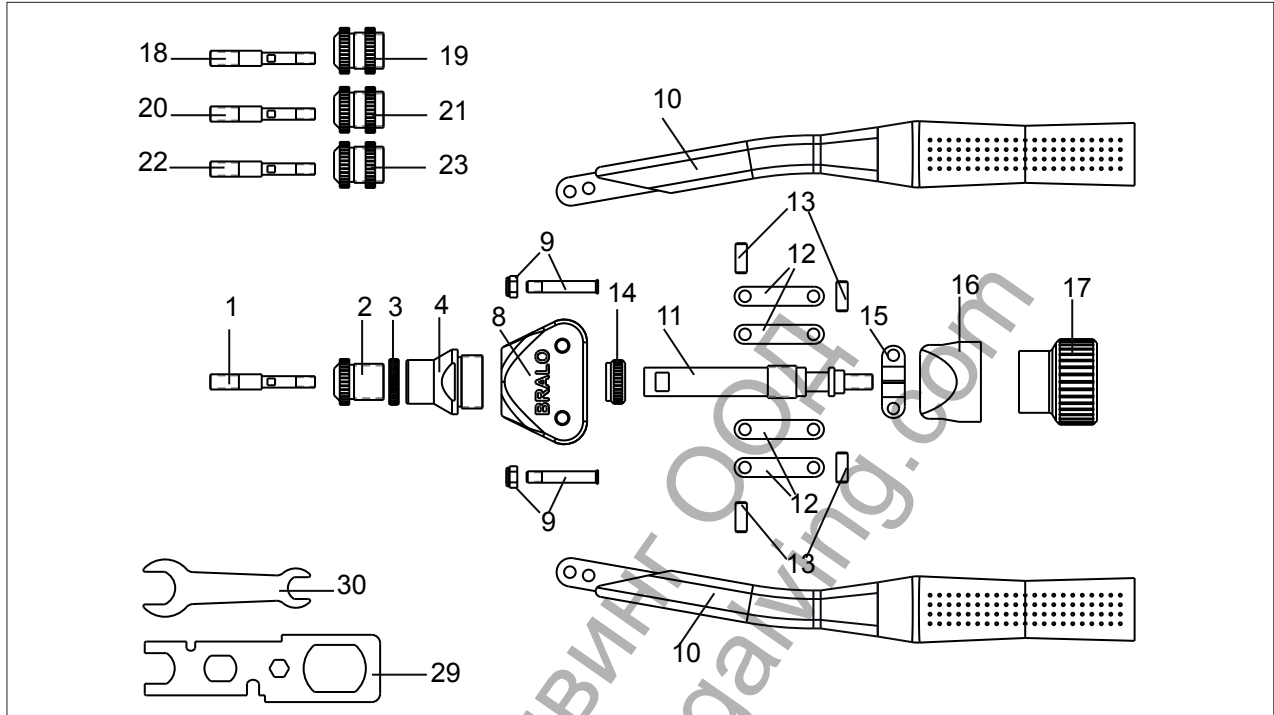


## BREAKDOWN TR-312



N°	REFERENCE	DESCRIPTION	N°	REFERENCE	DESCRIPTION
1	05TR0000226	Mandrel M-6	17	05TR0000212	Knob
2	05TR0000227	Nosepiece M-6	18	05TR0000228	Mandrel M-8
3	05TR0000204	Locknut	19	05TR0000229	Nosepiece M-8
4	05TR0000202	Nosepiece case	20	05TR0000230	Mandrel M-10
8	05BM0000204	Main body	21	05TR0000231	Nosepiece M-10
9	05BM0000205	Screws + nuts	22	05TR0000232	Mandrel M-12
10	05BM0000206	Handle (1 unit)	23	05TR0000233	Nosepiece M-12
11	05TR0000215	Expansion piece	29	05BM0000100	Nosepiece Spanner
12	05BM0000209	Plates (4 units)	30	05BM0000109	Wrench 12-18
13	05BM0000207	Piston			
14	05TR0000214	Adjustment nut			
15	05BM0000210	Anchoring pistons			
16	05BM0000211	Mandrel collector			